



WECHAT



WEB

Welcome to HEARKEN

Actuators and Controls



The Trusted, Passionate and focused Partner in Valve Automation

At HEARKEN FLOW, The founding principle of Hearkenflow is simple: to Listen our customers needs first, to develop the innovative valve actuators solutions , to meet the unique needs of our customers, Along the way, To help our customers to solve the problems in Valve Automation. We are growing our brand in Pneumatic and Electric Actuators, Accessories..



Experienced team



Large inventory



Convenient consultation

WHY WE ARE DIFFERENT

We offer a complete valve automation solution by the applications experience and customization capabilities, with an experienced support team to guide you in selection, installation, and project support. In addition we maintain an extensive supply of product inventory on hand so that we can quickly fulfill orders and reduce wait times. Our sales and support staff are readily available and accessible so that customers get the answers they need quickly.

THE TARGET WE ARE PURSUING



High-quality



low cost



Reliable solution

- To built A strong Reputation in Providing Quality, Cost Effective , Reliable And Robust Performance Solutions for Valve Automation,
- Included Pneumatic Actuators, Electrically Actuators, Actuated Valves.



COMMITMENT TO QUALITY

At HEARKEN FLOW means performance, All products manufactured by HEARKEN FLOW are warranted against defects in material and workmanship for a period of 18 months from the day of startup. Each of our products are tested at the factory. we are confident that our products meet or exceed all applicable standards before they ever leave our facility. We are an ISO 9001-2008 certified company. Our Valve Actuators Has Applied for SIL3 Certificate, ATEX Certificate ,CE, Explosion-proof Certificate, IP68 Weather proof etc....

HEA(A) Series Electric Actuator

Quarter-Turn Design

Description

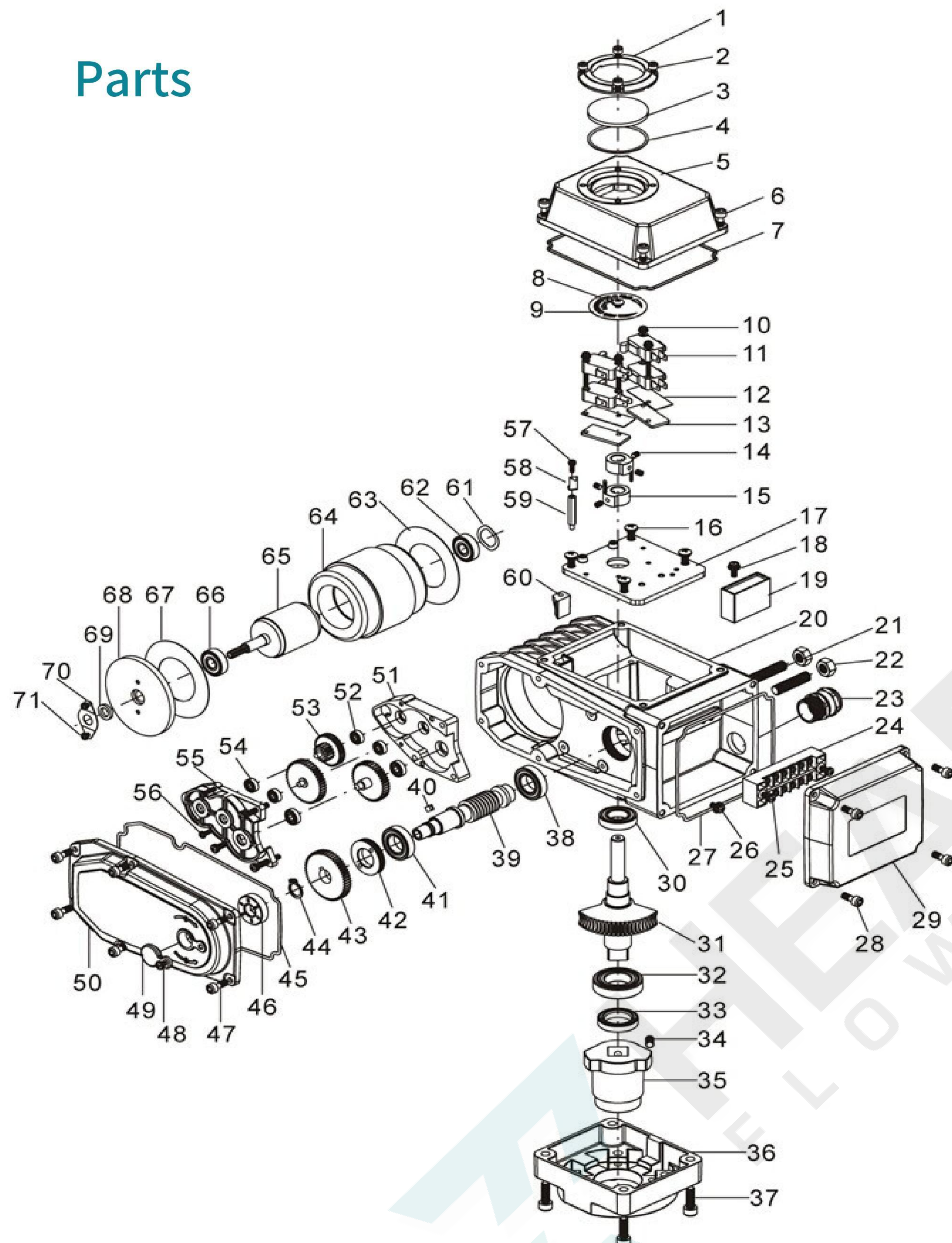
HEA(A)Series is a compact industrial duty quarter turn electric actuator specifically designed for ball and butterfly valves. 90°travel (adjustable between 20°and 95°)

Output torques from 30Nm to 2000Nm.

The voltage are available for 220VAC,110VAC,12VDC,24VDC,24VAC etc..The Actuator has ISO 5211 mounting pad Which for easy mounting.



Parts



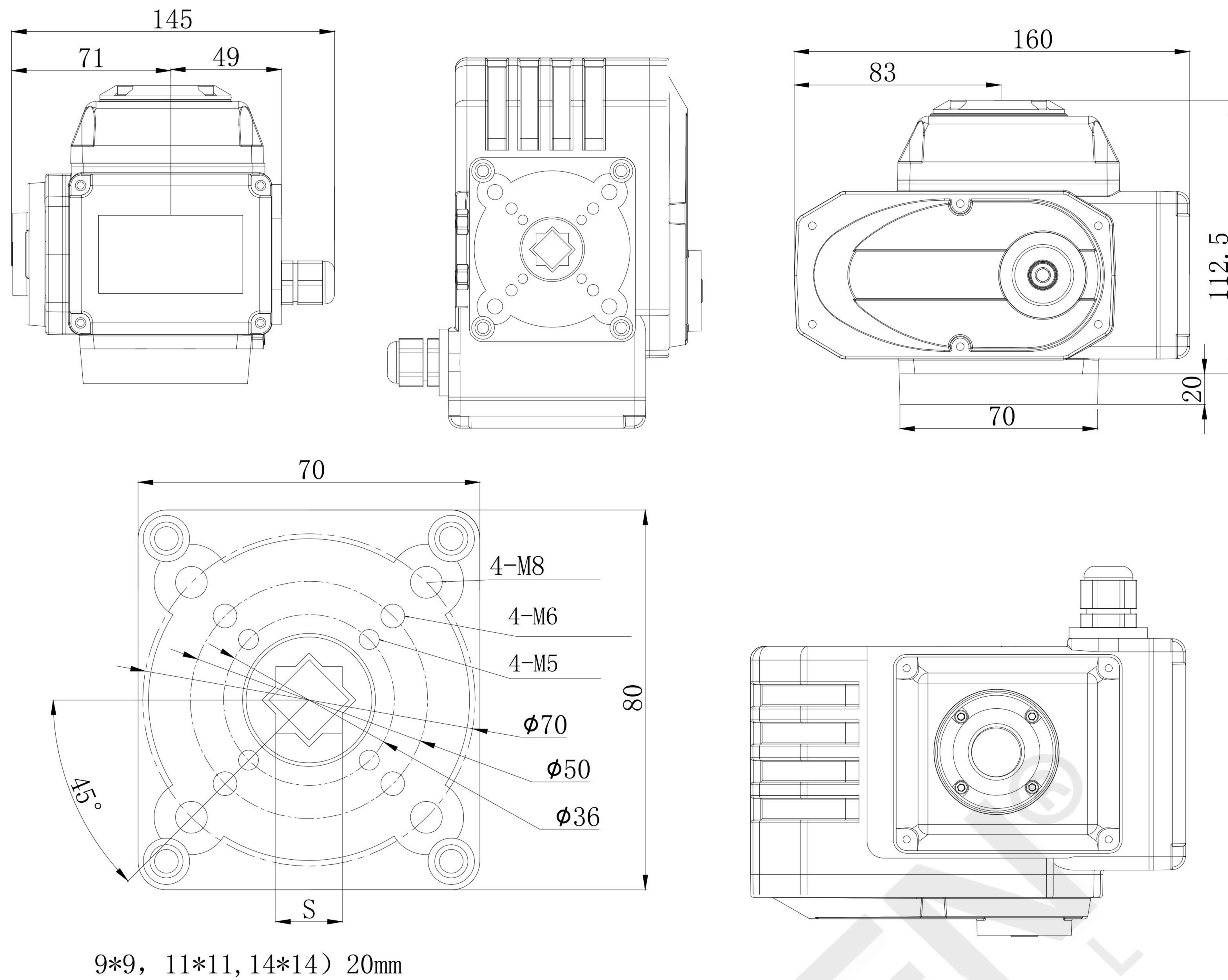
Testing For All Actuators

All actuators manufactured by HEARKEN are individually tested, Testing is carried out to check the leakage in both internal and external,The angle of rotation and Torque values.All bodies are stamped with year,month of production,size and serial number.

No.	Qty	Part name
1	1	Indication window hood
2	4	Internal hexangular fillister head screw
3	1	Viewing glass
4	1	O-ring
5	1	Electric fitting: top cap
6	4	Anti-break off hex type socket screw
7	1	O-ring
8	1	Cross bolt
9	1	Dial
10	4	Cross bolt(component)
11	4	Travel switch
12	2	Insulation plate guard
13	2	Insulation pad
14	4	Hex type socket holding screw
15	2	Stroke dog
16	4	Cross bolt(component)
17	1	Electric fitting: inner cap
18	1	Cross bolt(component)
19	1	Electric capacitor
20	1	Electric fitting: case body
21	2	Limit bolt
22	2	Hexagonal nut
23	1	Waterproof cable joint
24	1	Connecting terminal
25	2	Cross bolt
26	1	Cross bolt
27	1	O-ring
28	4	Anti-break off hex type socket screw
29	1	Electric fitting: lead-in cap
30	1	Bearing
31	1	Worm wheel
32	1	Bearing
33	1	Oil seal
34	1	Hex type socket holding screw
35	1	Connecting bushing (ISO5211)
36	1	Fixing base(ISO5211)
37	4	Internal hexangular fillister head screw
38	1	Bearing
39	1	Worm screw
40	1	Flat key
41	1	Bearing
42	1	Locknut
43	1	Gear on womm
44	1	Axis shield ring
45	1	O-ring
46	1	Oil seal
47	6	Anti-break off hex type socket screw
48	1	Cross bolt(component)

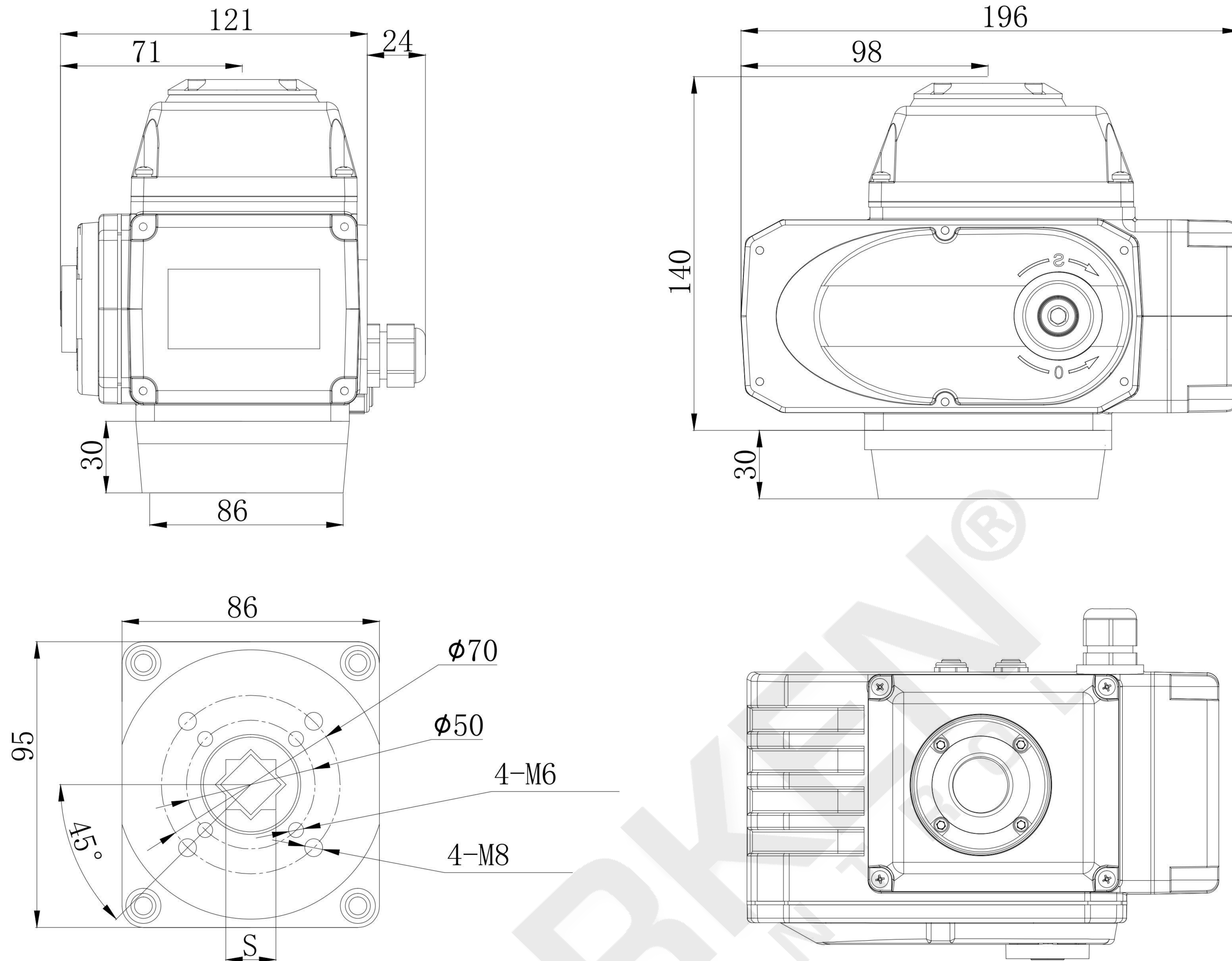
No.	Qty	Part name
49	1	Dustproof end plug
50	1	Electric fitting: front cap
51	1	Electric fitting: speed-down case 1
52	3	Bearing
53	3	Electric fitting. reduction gear component
54	3	Bearing
55	1	Electric fitting: speed-down case body
56	5	Cross bolt(component)
57	1	Cross bolt(component)
58	1	Dial needle
59	1	Pointer rod
60	1	Rubber end plug
61	1	Wavy spring washer
62	1	Bearing
63	1	Insulating division board
64	1	Electromotor stator
65	1	Electromotor rotor
66	1	Bearing
67	1	Insulating division board
68	1	Electromotor cap
69	1	Oil seal
70	1	Oil seal stop plate
71	2	Cross bolt(component)

HEA005A Dimension And Parameters



Model	HEA005A		
Power Supply	DC24V	AC110V	AC220V
Output Torque	50NM	50NM	50NM
Motion Times(s)	20	20	20
Scope of Rotary Angle (°)	0-360°	0-360°	0-360°
Motor Power(w)	13	10	10
Rated Current(A)	1.28	0.24	0.18
Machine Weight(kg)	2.2	2.2	2.2
Insulation Resistance(MΩ)	DC24V:100MΩ/250VDC AC110V/220V 380V:100MΩ/500VDC		
Voltage Resistance Rating	DC24V:500VAC; AC110V/220V:1500VAC; AC380V:1800VAC(1 Minute)		
Protection Level	IP66		
Installation Position	Rotary degree :360°		
Electrical Connection	Each one G1/2 water-proof cable connectors, electric power lines, signal lines		
Environment Temperature	-30°~+60°		
Control Circuit Options	Standard type:Limit position switch A type:with mid-position switch B type:with potentiometer C type:with potentiometer and mid-position switch. D type:with servo controller(Regulatory)		
Optional Function	Over torque protectors Dehumidify heater		

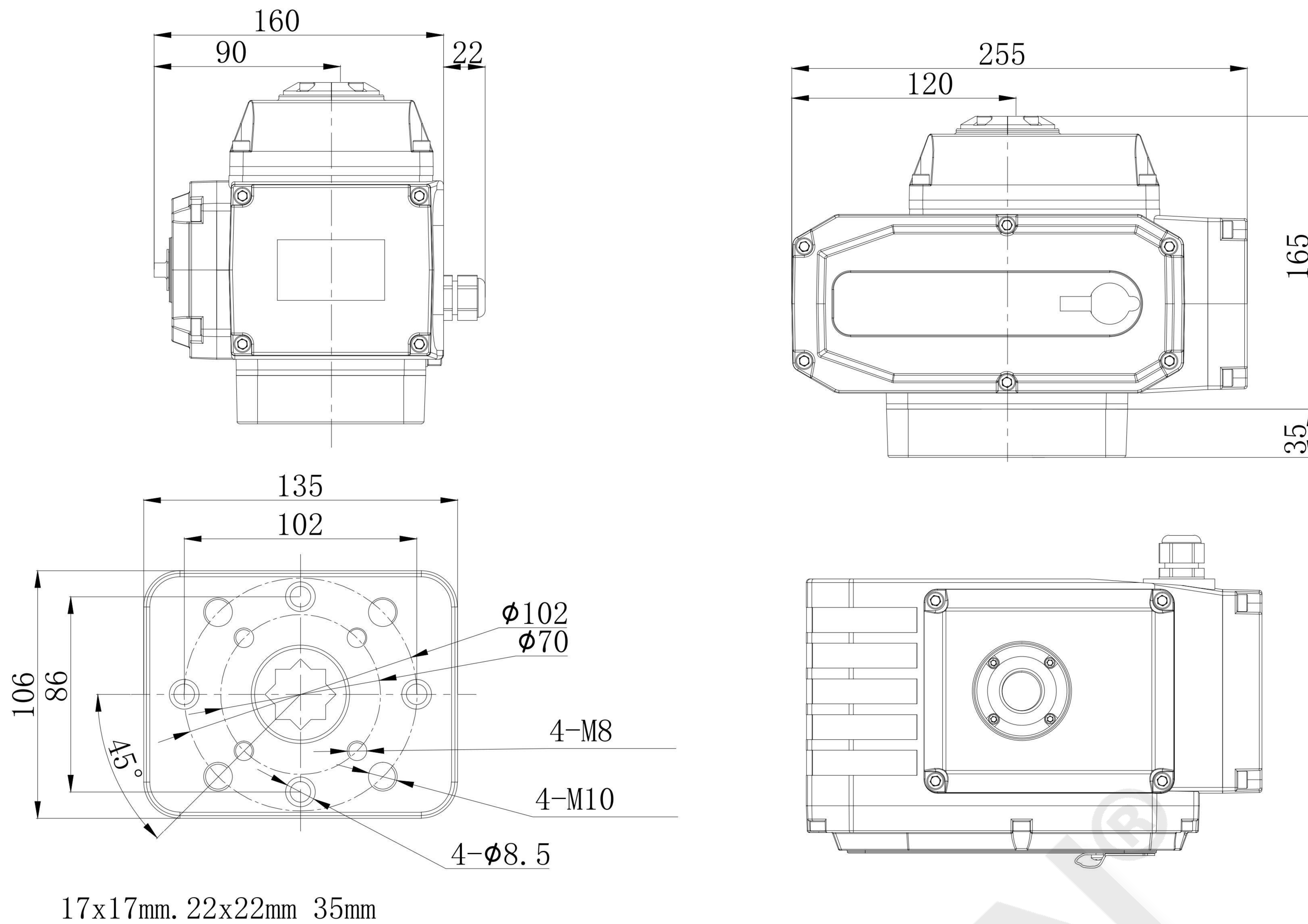
HEA010A Dimension And Parameters



9*9, 11*11, 14*14, 17*17 30mm

Model	HEA010A			
Power Supply	DC24V	AC110V	AC220V	AC380V
Output Torque	100NM	100NM	100NM	100NM
Motion Times(s)	30/60	30/60	30/60	30/60
Scope of Rotary Angle (°)	0-360°	0-360°	0-360°	0-360°
Motor Power(w)	25	25	25	25
Rated Current(A)	2.03	0.57	0.35	0.1
Machine Weight(kg)	4	4	4	4
Insulation Resistance(MΩ)	DC24V:100MΩ/250VDC AC110V/220V 380V:100MΩ/500VDC			
Voltage Resistance Rating	DC24V:500VAC; AC110V/220V:1500VAC; AC380V:1800VAC(1 Minute)			
Protection Level	IP66			
Installation Position	Rotary degree :360°			
Electrical Connection	Each one G1/2 water-proof cable connectors, electric power lines, signal lines			
Environment Temperature	-30°~+60°			
Control Circuit Options	Standard type:Limit position switch A type:with mid-position switch B type:with potentiometer C type:with potentiometer and mid-position switch. D type:with servo controller(Regulatory)			
Optional Function	Over torque protectors Dehumidify heater			

HEA020A/HEA040A/HEA060A/HEA080A Dimension And Parameters



Model	HEA020A	HEA040A	HEA060A	HEA080A
Output Torque	20kgf·m	40kgf·m	60kgf·m	80kgf·m
Motion Times(s)	15/30/45	30/45	30/45	60
Scope of Rotary Angle (°)	0-90°	0-90°	0-90°	0-90°
Motor Power(w)	40/30	90/60	100	100
Rated Current(A)	0.37/0.25	0.69/0.51	0.85	0.85
Machine Weight(kg)	11	11	11.3	11.3
Power Supply (v)	DC24V AC110V AC220V±10% 50HZ/60HZ AC380V			
Motor Protection	Built-in thermal protection			
Insulation Resistance(MΩ)	100MΩ/500VDC			
Voltage Resistance Rating	1500VAC (1 Minute)			
Manual Operation	It comes with stainless steel handles			
Protection Level	IP66			
Installation Position	Rotary degree :360°			
Electrical Connection	Each one G1/2 water-proof cable connectors, electric power lines, signal lines			
Limit Element	Limit switch, Mechanical strike block			
Environment Temperature	-20°~+60°			
Control Circuit Options	Standard type:Limit position switch A type:with mid-position switch B type:with potentiometer C type:with potentiometer and mid-position switch. D type:with servo controller(Regulatory)			